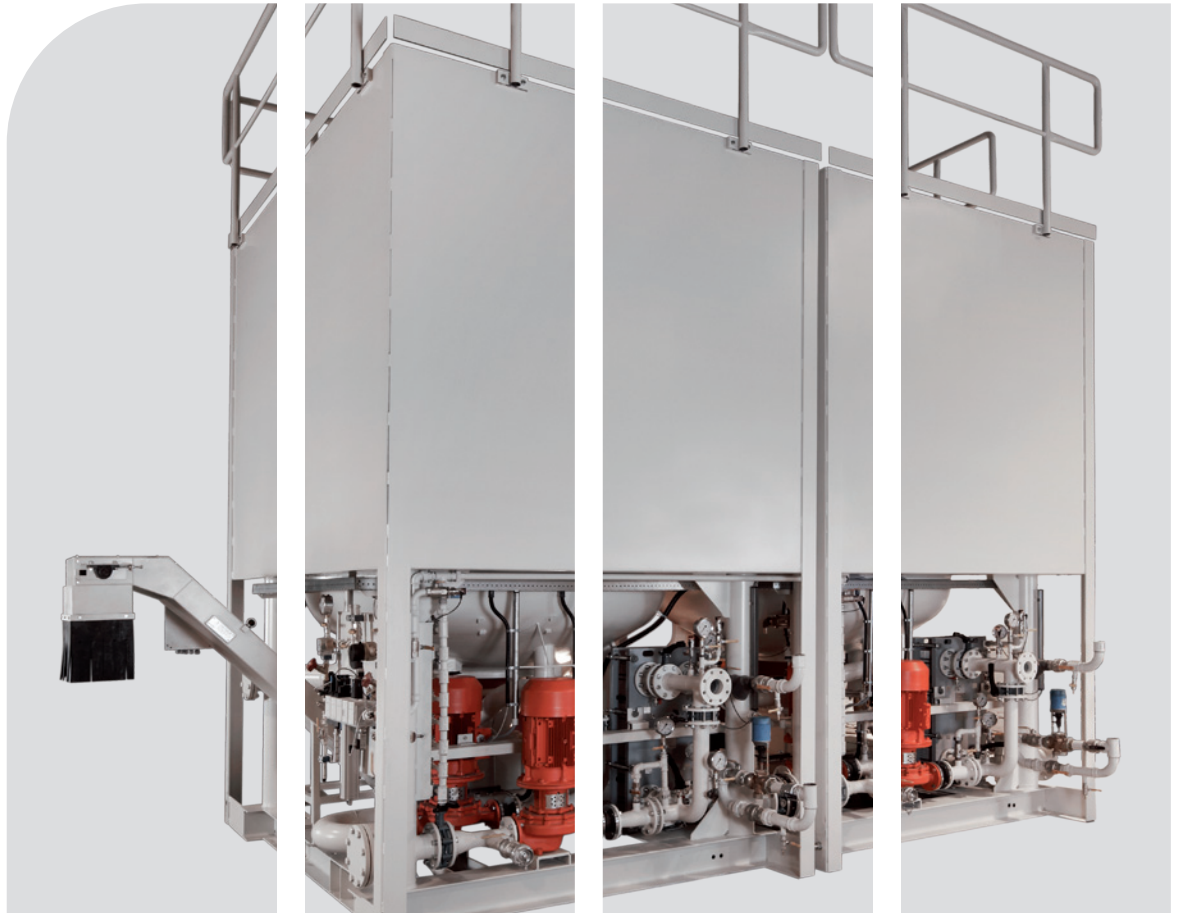


# MCF MAYFRAN COMPACT FILTER



efficient – compact – modular

## Applications

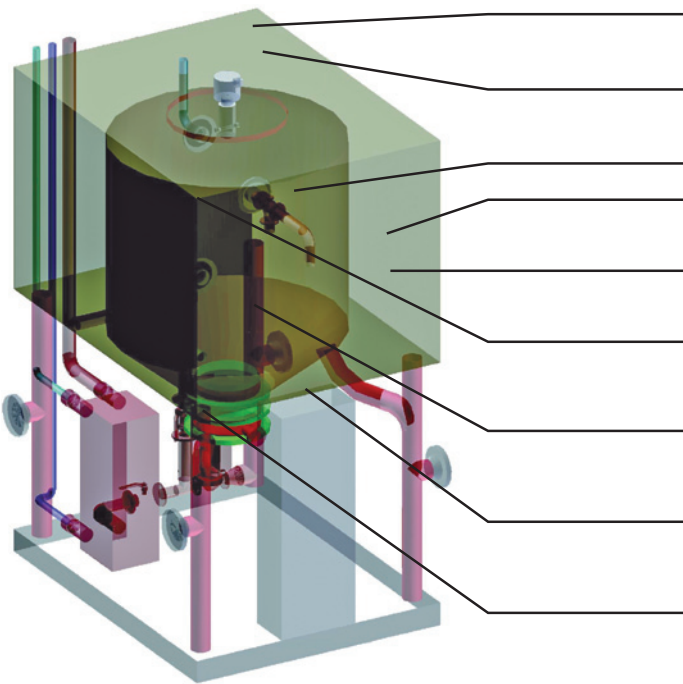
- Wherever high quality filters are required
- Hard grinding
- Emulsion or oil
- Minimal space requirements

## Avantages

- Requires very little space (only 2.3 x 3.4 m) while offering high capacity
- Modular designed
- Easy connectable
- Energy efficient because of rpm controlled pumps
- High quality filtration by precoat technique
- Standardized parts
- Additional modules can be connected and controlled via the Master Control Unit



## Design characteristics



Extremely compact with a size of 2.30 x 3.40 m

Flat walk-on top

Dirt tank and clean tank have same Volume (> 9 m<sup>3</sup>)

Flat surfaces (easy house-keeping)

Total height ca. 4.10 m

Filter dome (pressure vessel) accessible for visual inspection

Entry through man hole for inspection

Extra flange to enable mounting of dome in tank without welding

## Technical data / standard sizes

Height: 400 cm

Surface: 230 x 340 cm

Capacity: 1,000 l/min. per module

Filtration quality: filter class

- Single or multi module plant
- Self priming dome filter centered
- Tank-in-tank concept
- Clean tank contents determines crucial process parameters
- Temperature control by in line full stream heat exchanger
- RPM controled pumps for adaptation of capacity
- Module linkable to other modules



System with two modules per 1,000 l / min

**MAYFRAN INTERNATIONAL B.V.**  
 P.B. 31032, Edisonstraat 7  
 6370 AA Landgraaf / Netherlands  
 tel.: +31 45 53 29-292  
 fax: +31 45 53 29-300  
 sales@mayfran.eu  
 www.mayfran.eu

**MAYFRAN GMBH**  
 Am Gut Wolf 3  
 D-52070 Aachen / Germany  
 tel.: +49 241 93 87 2-0  
 fax: +49 241 17 50 80  
 sales@mayfran.eu  
 www.mayfran.de

**NIEDERLASSUNG SÜD**  
 Richthofenstraße 32  
 D-73312 Geislingen a.d. Steige / Germany  
 tel.: +49 7331 95 53-0  
 fax: +49 7331 95 53 55  
 info@mayfran.de  
 www.mayfran.de